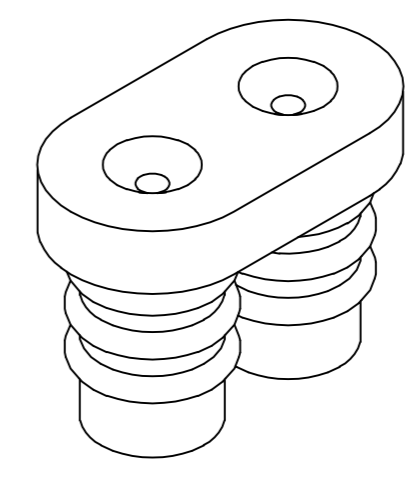
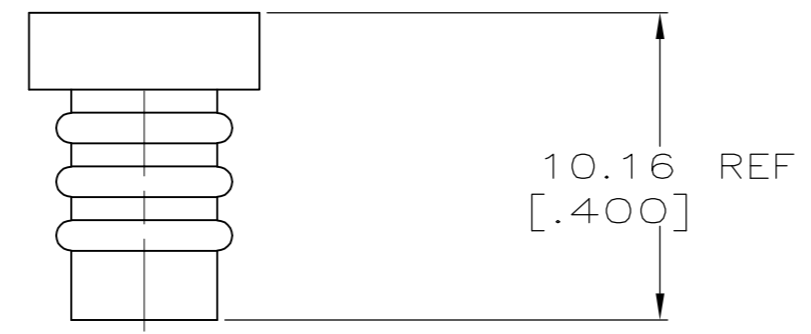
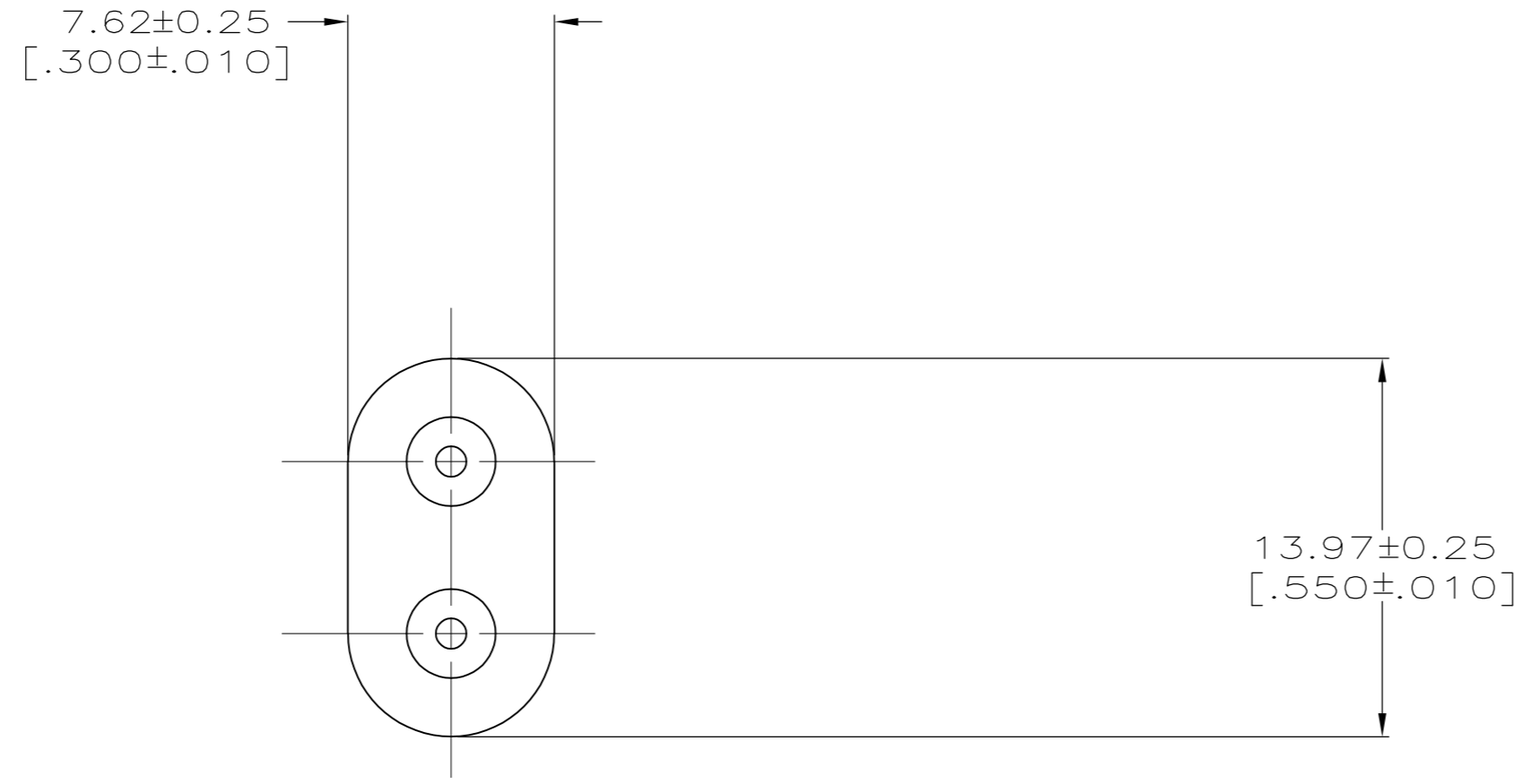


THIS DRAWING IS UNPUBLISHED. RELEASED FOR PUBLICATION
 © COPYRIGHT - By - ALL RIGHTS RESERVED.

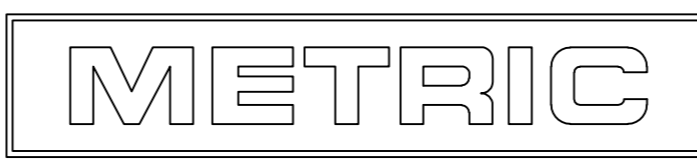
LOC		DIST		REVISIONS			
P	LTR	DESCRIPTION		DATE	DWN	APVD	
CM	53	A1		REVISED PER ECO-11-004917	11MAR11	RK HMR	

- 1. MATERIAL: SELF LUBRICATING SILICON RUBBER
COLOR: BLUE
- 2. DIMENSIONS IN BRACKETS ARE IN INCHES.



3-DIMENSIONAL MODEL NTS

794270-1
PART NUMBER



THIS DRAWING IS A CONTROLLED DOCUMENT.		DWN	B. LEWIS	3-25-97		TE Connectivity							
DIMENSIONS: INCHES		CHK	R. SWING	3-25-97		NAME							
		APVD	D. SELF	3-25-97		WIRE SEAL, 2 CIRCUIT, UNIVERSAL MATE-N-LOK™							
TOLERANCES UNLESS OTHERWISE SPECIFIED: 0 PLC ± - 1 PLC ± - 2 PLC ± - 3 PLC ± 0.13 [.005] 4 PLC ± - ANGLES ± 0° 30'		PRODUCT SPEC	-			SIZE	A2	CAGE CODE	00779	DRAWING NO	C=794270	RESTRICTED TO	-
MATERIAL		FINISH	-		WEIGHT	-		SCALE	4:1	SHEET	1 of 1	REV	A1
CUSTOMER DRAWING													

794270